



Standard Wattage, 100W, 150W, 250W.



Black or yellow glaze available, MOQ applies

Standard ESE range

	Mean Surface Temperature °C	Max Power Density kW/m ²
250 W	542	25
150W	426	15
100 W	352	10

Ceramic Edison Screw Element

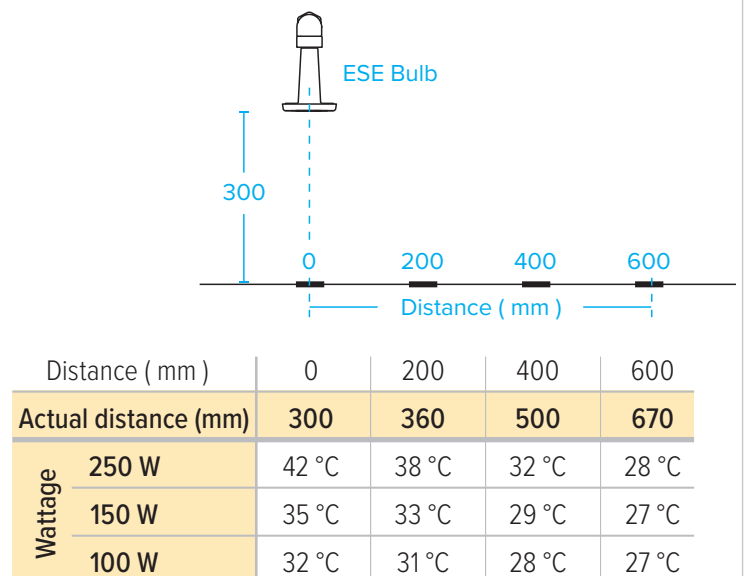
Properties Ceramic Edison screw element (ESE) are industry standard infrared bulbs used primary in the area of reptile/animal/ pet care These ceramic bulbs provide infrared heat without the negative effects of light output.

Ceramicx bulbs consist of a high temperature FeCrAl resistance alloy embedded in a specially formulated ceramic body allowing an operating temperature up to 542°C (1008°F)

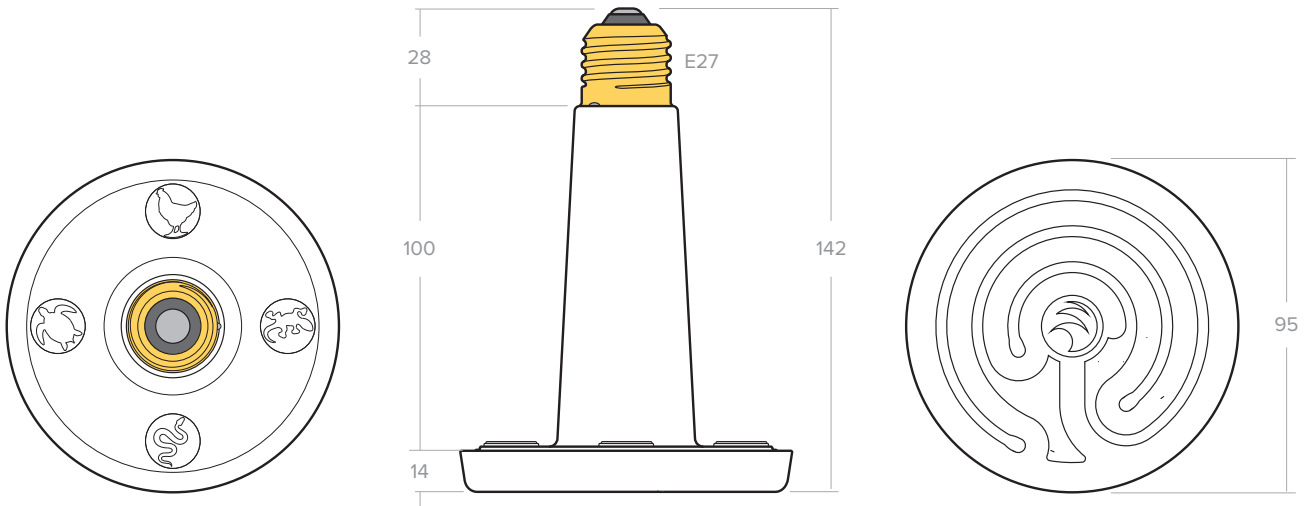
Technical specification

Material	Ceramic body, white glaze, embedded resistance heating coil
Heater Voltage	230 V or 120 V (standard)
Useful wave-length range	2 - 10 μm (microns) - Long wave*
Dimensions	142 x 95 x 95 mm
Average weight	219 g
Electric connection	E27
Element spacing	Minimum spacing between elements 5 mm
Average operating life	Up to 20,000 hrs depending on conditions
Standards	CE
Packaging (L x W x H)	145 x 99 x 99 mm

Temperature (°C) vs. Distance (mm) from ESE Bulb



*CIE classification of infrared radiation

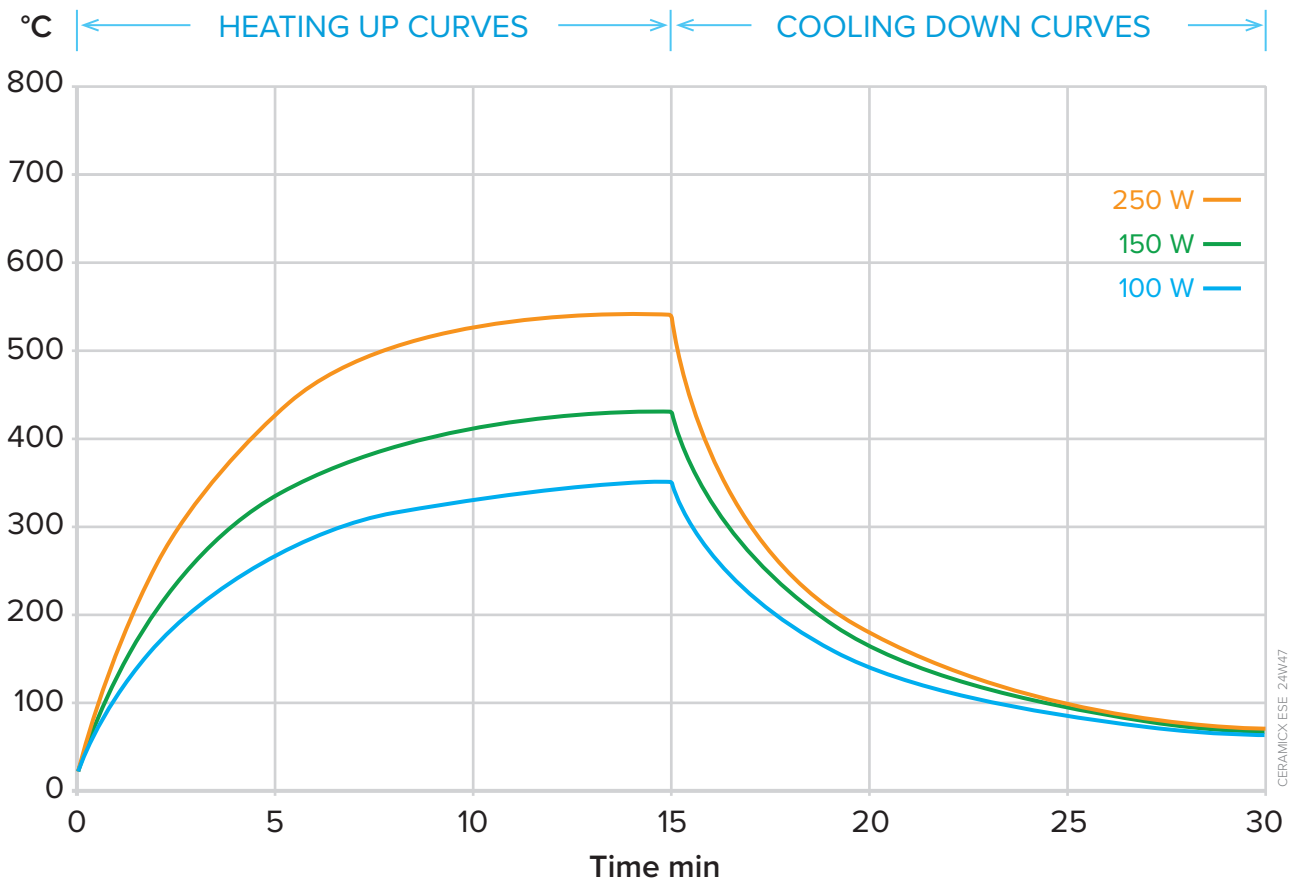


ESE
EDISON SCREW ELEMENT

Tolerances apply, all dimensions mm.



24W40



ESE 24W47
EDISON SCREW ELEMENT

CERAMICX ESE 24W47

ESE Heat up and cool down curves showing average surface temperature measured with a thermal imaging camera set to an emissivity of 0.95