

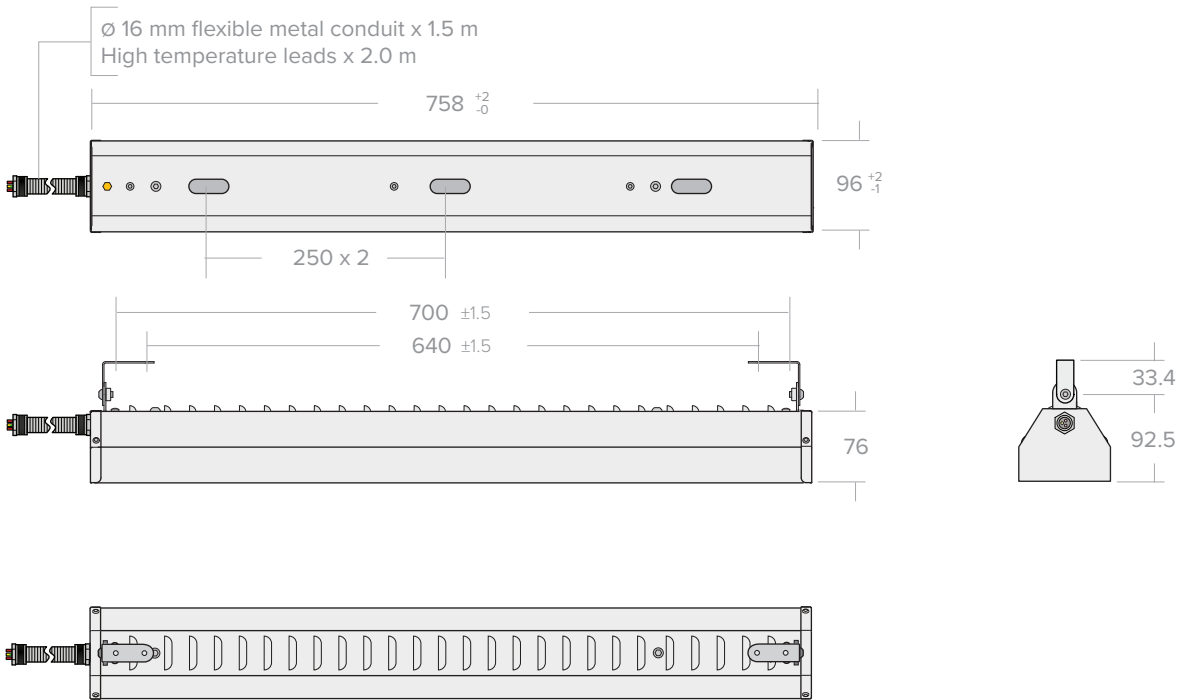
PAS 3 - Projector Aluminium Clad Steel 3

Designed for FTE and FFEH ceramic elements, our reflective, polished aluminium clad steel projectors are ideal for areas needing rapid, effective and economic positional heat.

The projectors can form a bank of infrared panels to heat a specified area within a large space or used to heat large or small areas completely. Fixed directly to a suitable framework depending on the process requirements, they can be adjusted and angled to give the most effective heat coverage. Particularly useful in cooler or poorly insulated areas.



Technical specification	
Material	0.75 mm Polished aluminium clad steel
Dimensions	758 x 96 x 76 mm
Average weight	2381 g
Standards	CE
Electrical_connection	High temperature lead length 2.0 m 16 mm metal conduit 1.5 m



Max W; 1,950 W
Max V; 480 V
Max A; 18 A

All dimensions mm, tolerances apply