

PAS 2 - Projector Aluminium Clad Steel 2



Designed for FTE and FFEH ceramic elements, our reflective, polished aluminium clad steel projectors are ideal for areas needing rapid, effective and economic positional heat.

The projectors can form a bank of infrared panels to heat a specified area within a large space or used to heat large or small areas completely. Fixed directly to a suitable framework depending on the process requirements, they can be adjusted and angled to give the most effective heat coverage. Particularly useful in cooler or poorly insulated areas.



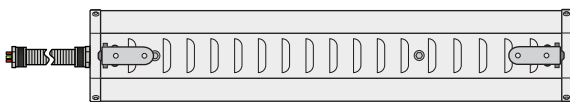
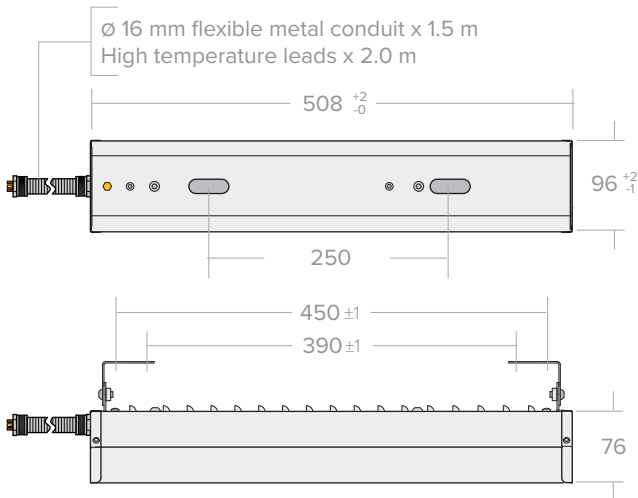
PAS 2 fitted with FTE x 2



PAS 2 fitted with FFEH x 2

Technical specification

Material	0.75 mm Polished aluminium clad steel
Dimensions	508 x 96 x 76 mm
Average weight	1,889 g
Standards	CE
Electrical_connection	High temperature lead length 2.0 m 16 mm metal conduit 1.5 m



Max W; 1,300 W

Max V; 480 V

Max A; 13 A

All dimensions mm, tolerances apply