

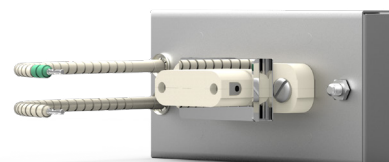
PHQE - Pillared Half Quartz Element TC/K

Properties

Quartz infrared heating elements provide medium wave infrared radiation. They are favoured in industrial applications where a more rapid heater response is necessary, including systems with long heater off cycles. The standard quartz heating elements range consists of cassette style elements constructed with aluminised steel as standard, stainless steel is also an option. These emitters have peak emissions in the medium to long wavelength range.

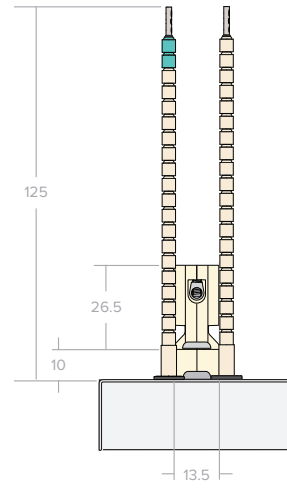
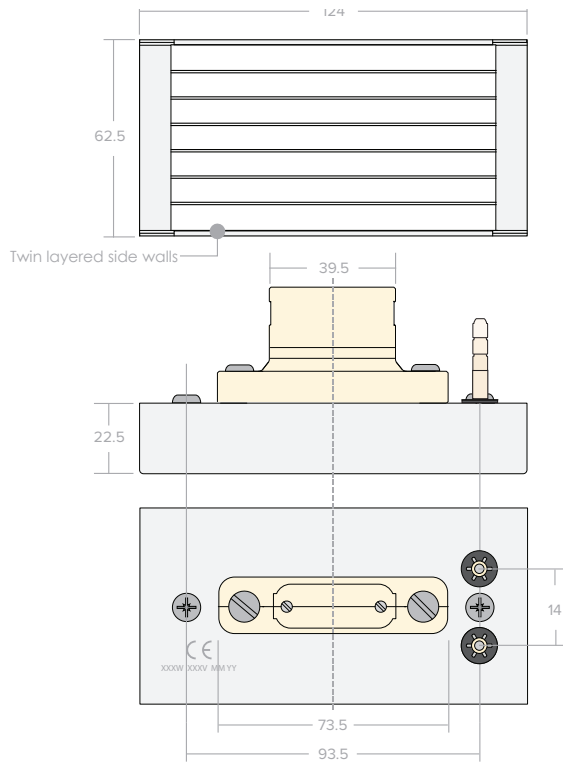
Technical specification

Material	Aluminium clad steel body with an embedded iron-chrome aluminium resistance wire
Heater Voltage	230 V (standard)
Operating Temperature	Max permissible 500°C
Useful wave-length range	1.5 - 8 µm (microns) long wavelength
Dimensions	124 x 62.5 x 59 mm
Average weight	263 g
Leads	125mm ceramic beaded thermocouple leads
Assembly	Recommended radiation distance from heater is 100mm to 200mm. Mounting slot size oval 15x42 mm Steel wave spring and clip set included
Recommended Spacing	5mm minimum spacing between elements
Average operating life	Up to 5 000 hrs depending on conditions
Standards	CE
Packaging w x h x d	126 x 64 x 64 mm



Standard assortment

Model PHQE	Power W	Mean Surface Temperature °C	Max Power Density kW/m ²
PHQE 150	150	470	19
PHQE 250	250	593	32
PHQE 325	325	664	42
PHQE 400	400	720	51
PHQE 500	500	772	64

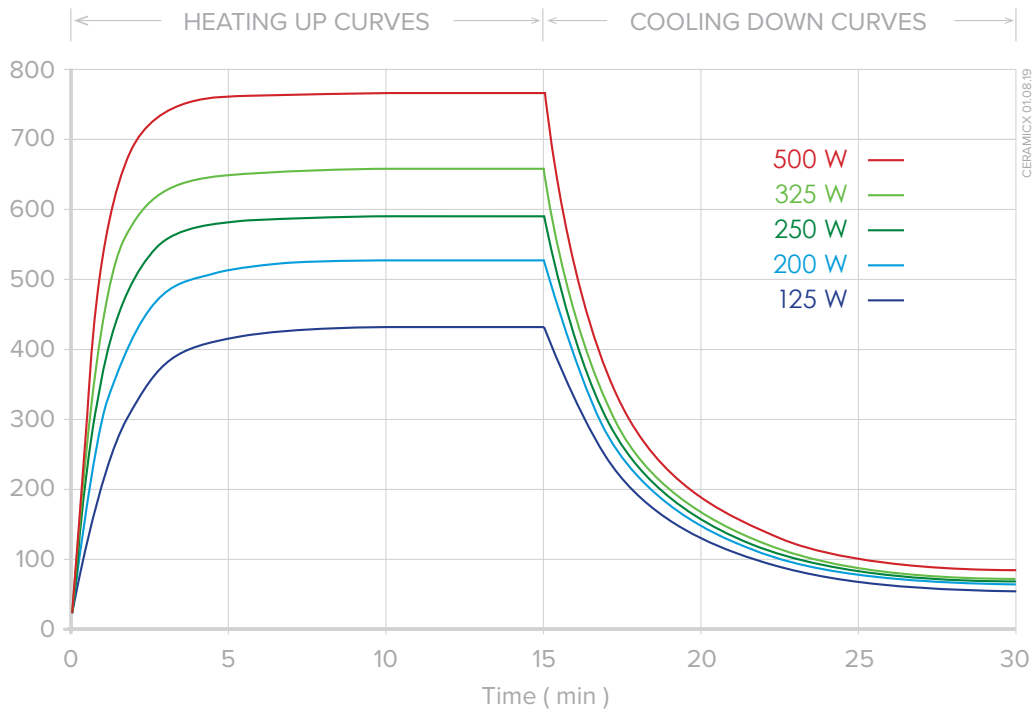


PHQE PILLARED HALF QUARTZ ELEMENT
25.0719

Tolerances apply, all dimensions mm.
Heater body manufactured from 0.75 mm
polished aluminium clad steel (500°C max)



Comes with Wave Spring and Clip



PHQE Pillared Full Quartz Element

Heating up and cooling down curves showing average surface temperature taken with an infrared thermometer set at an emissivity of 0.7